

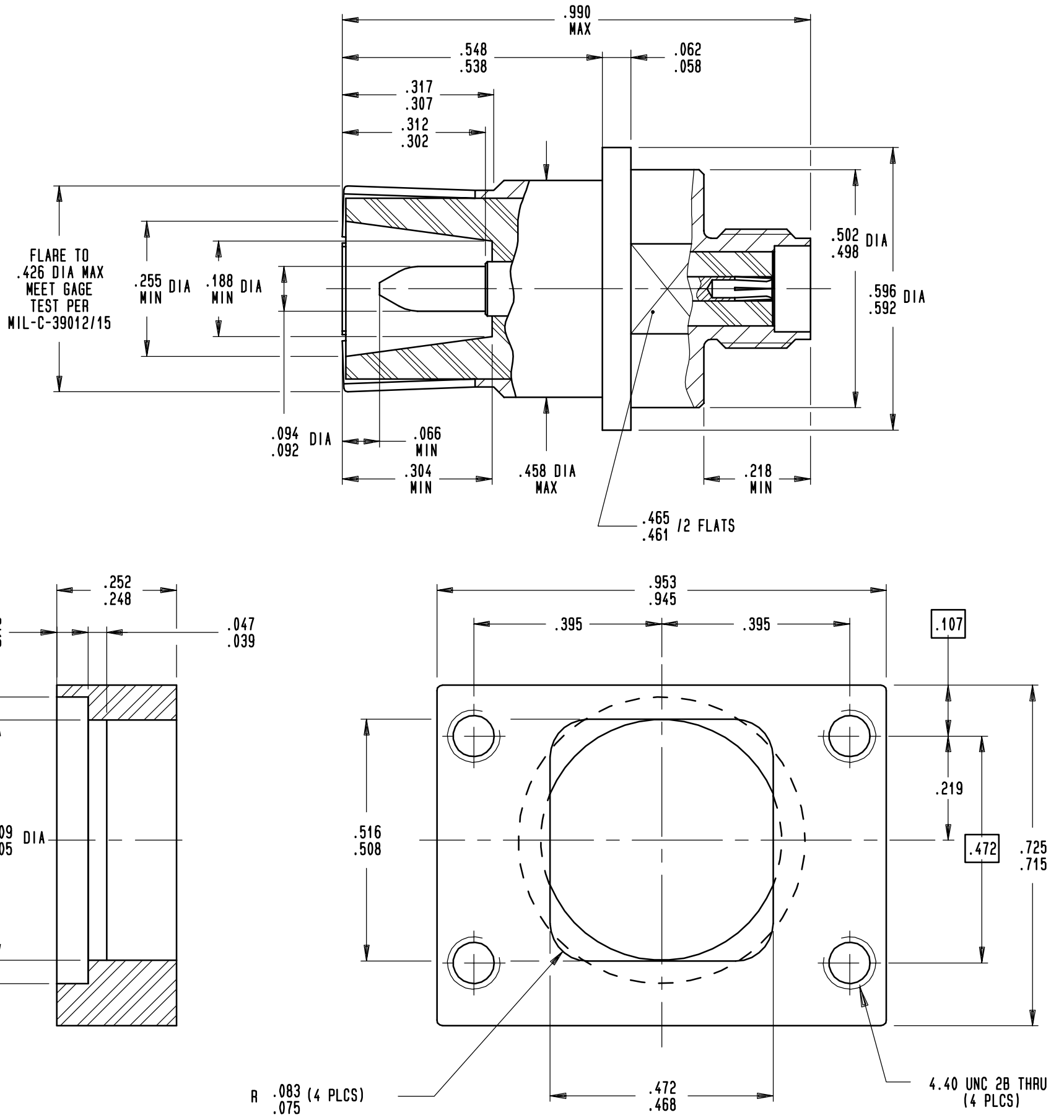


Series
NSX

SIZE 1 PIN COAXIAL SMA TERMINATION
HONEYWELL P/N:4067930-1

Issue:
18 NOV 96

Page
1 / 1



MATERIAL AND FINISH:
 OUTER AND CENTER CONTACTS: COPPER ALLOY-.00005 GOLD PLATED OVER NICKEL UNDERPLATE
 DIELECTRIC: TEFLON
 RETAINING PLATES: ALUMINUM ALLOY-TIN LEAD 95/5 OVER ELECTROLESS NICKEL PLATED

SUPPLIED WITH 1 RETAINING PLATE AND 4 SCREWS

CREATION				
PEN: .				
NOM: FALETTI				
DATE: 25 MAR 92	18 NOV 96	REDRAWN	VALGRESY	.
APPR.: .	Issue	Revisions	Name	Approved

4112-9610

A620044